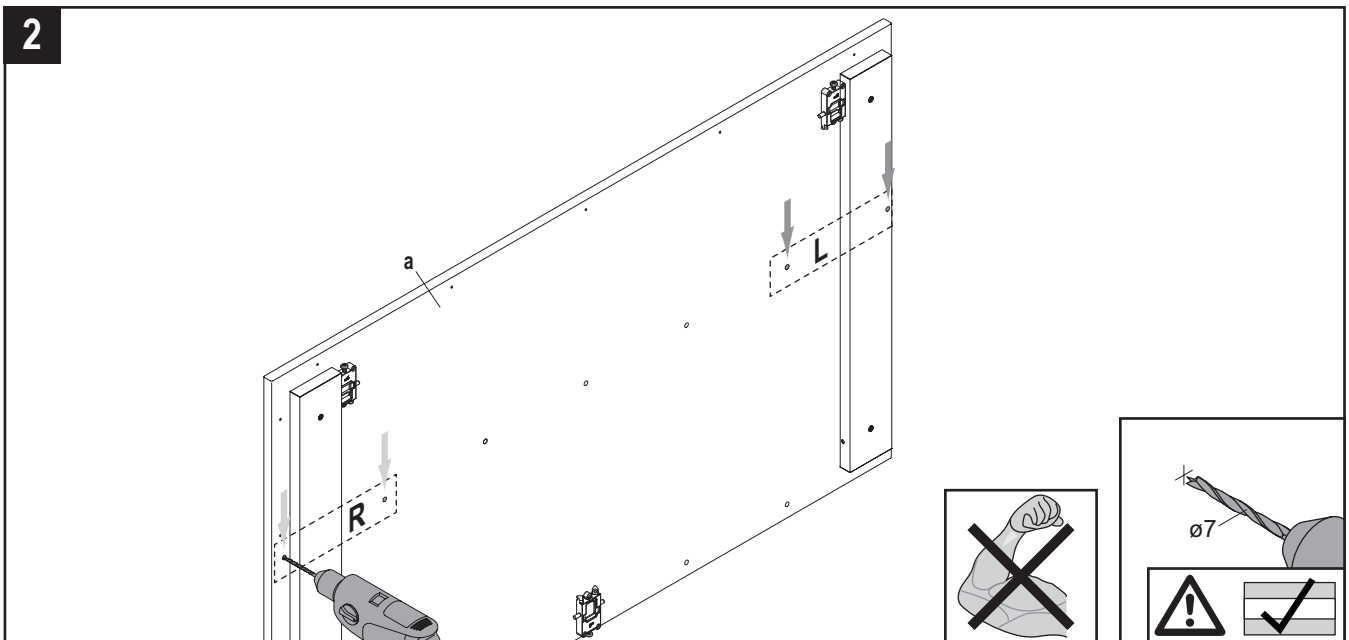
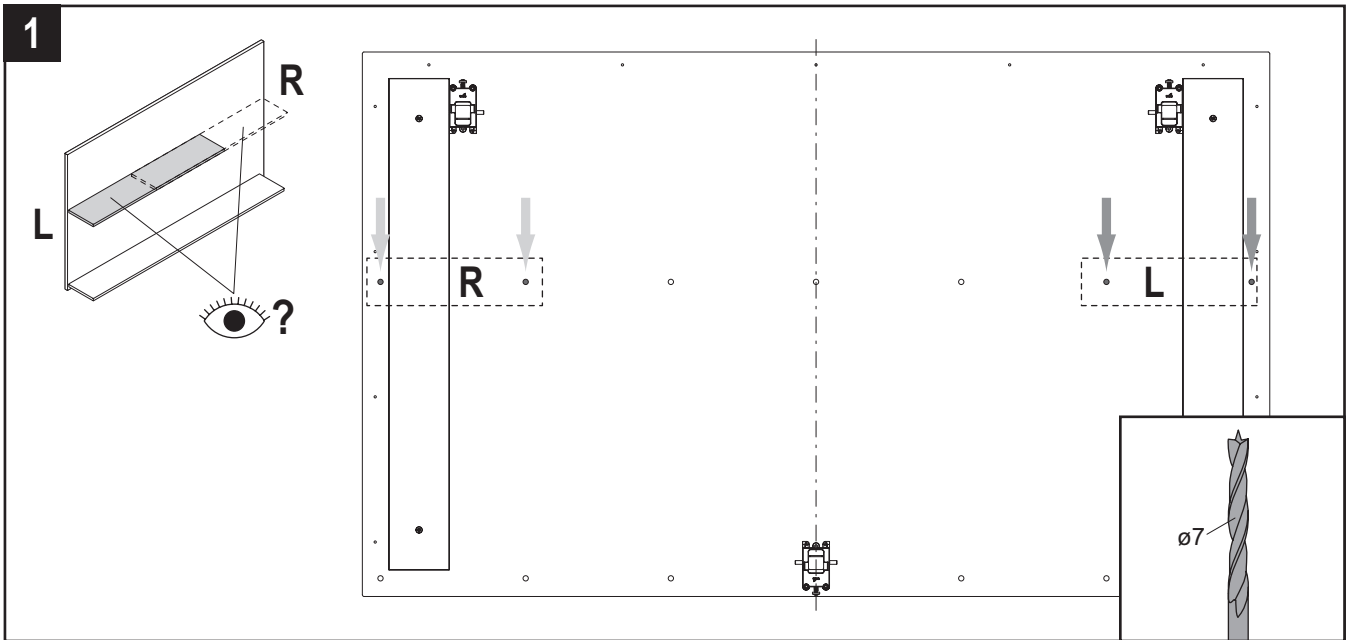
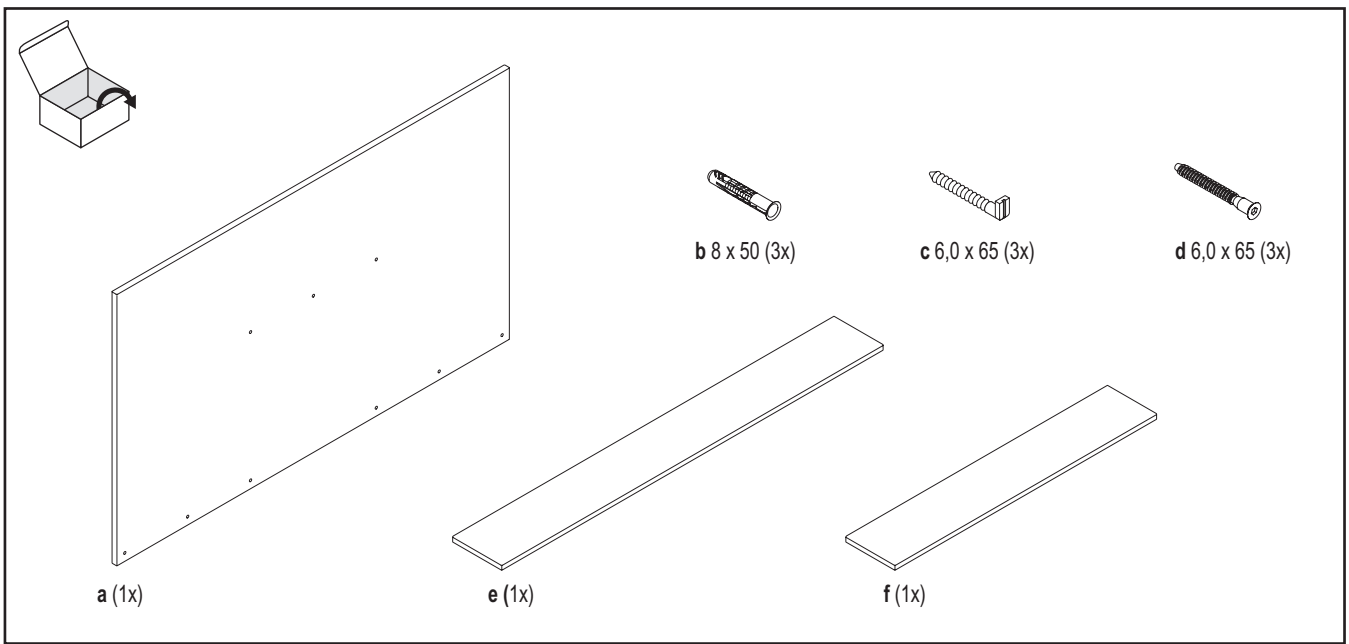
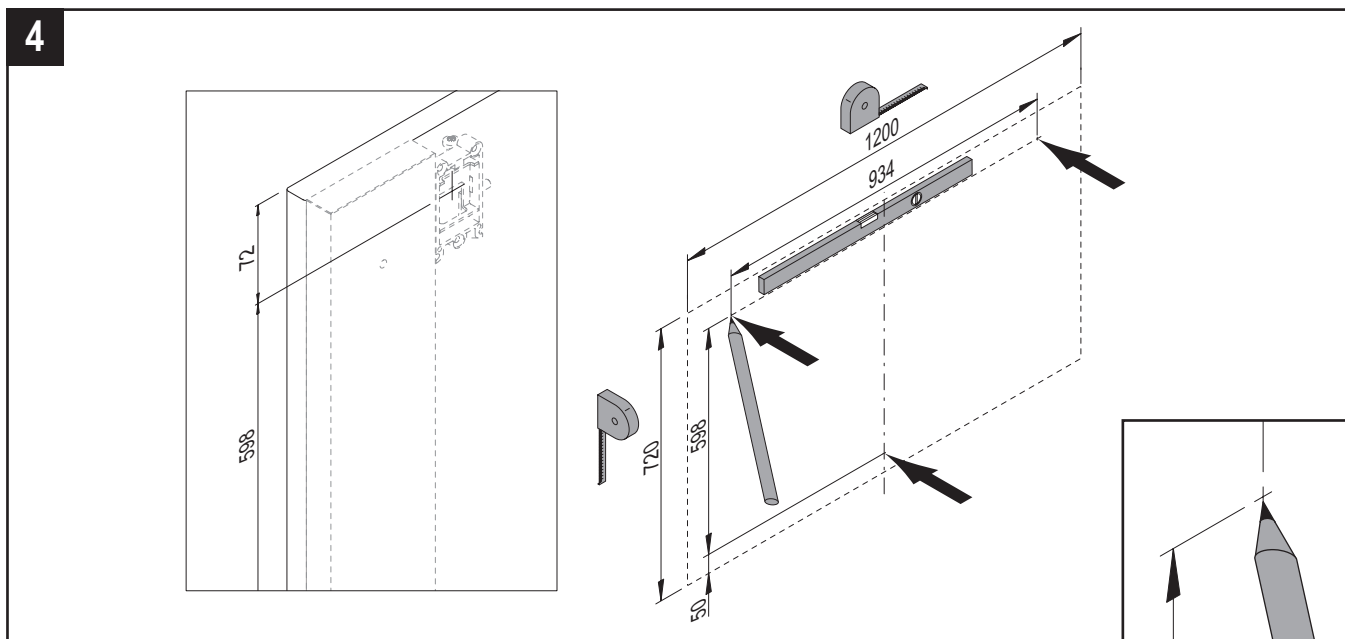
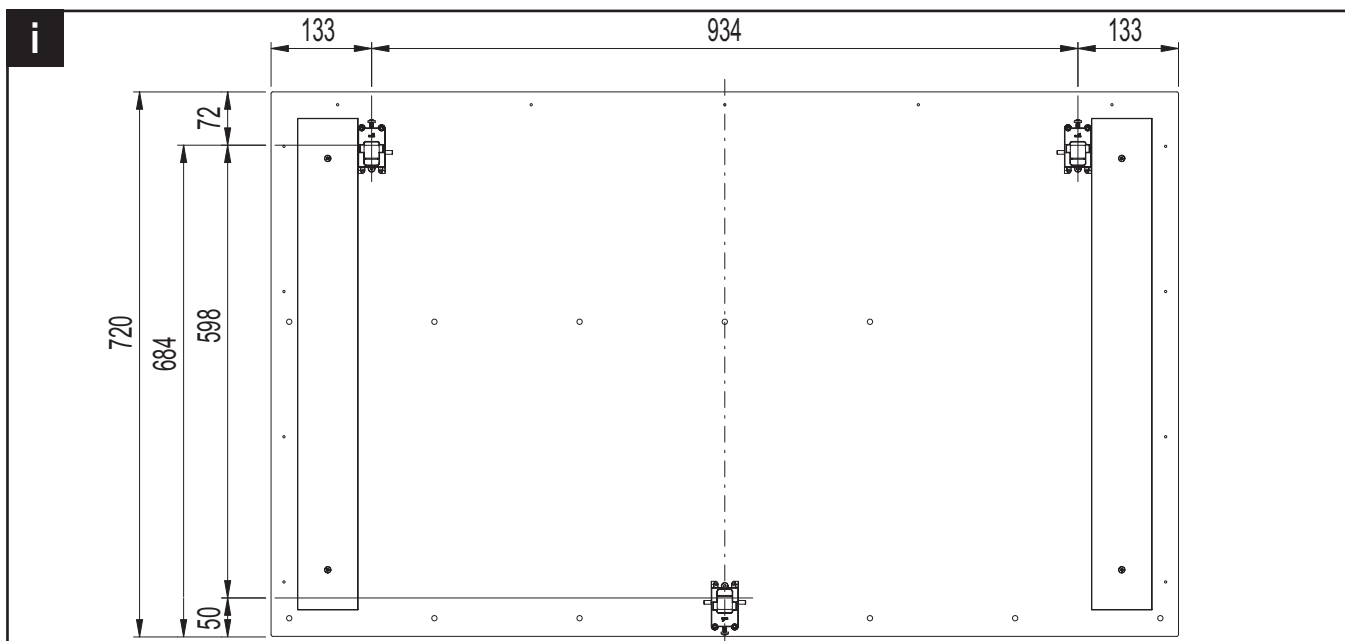
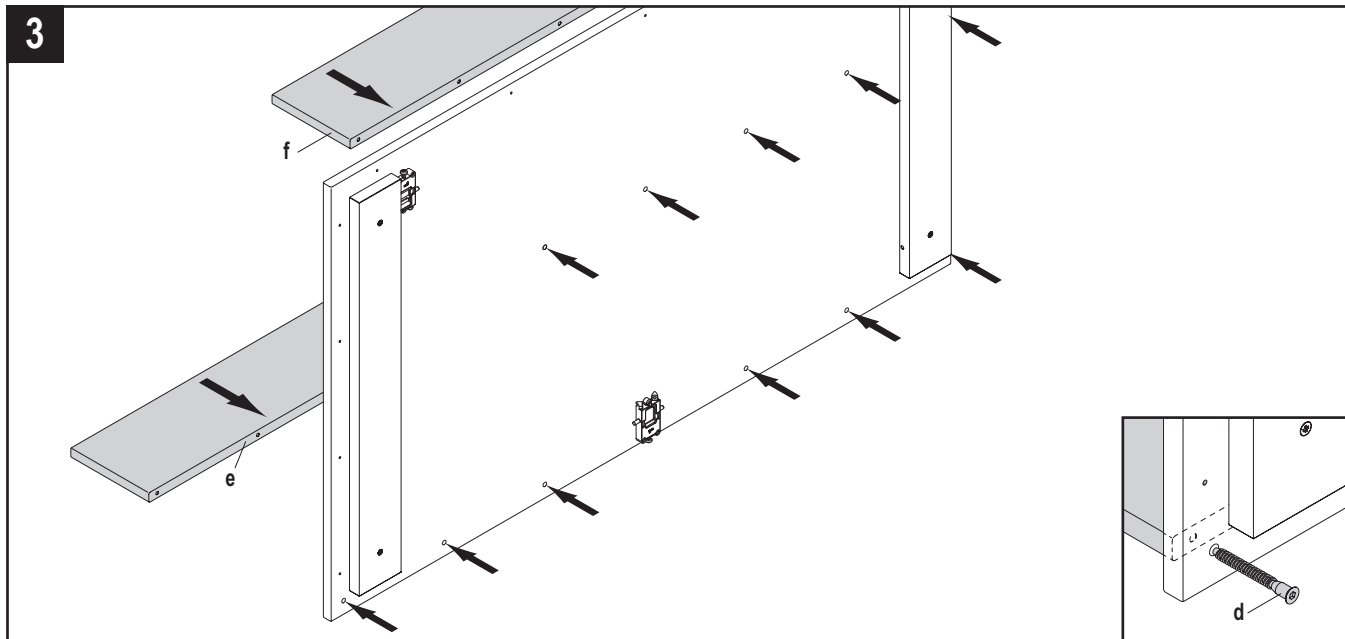


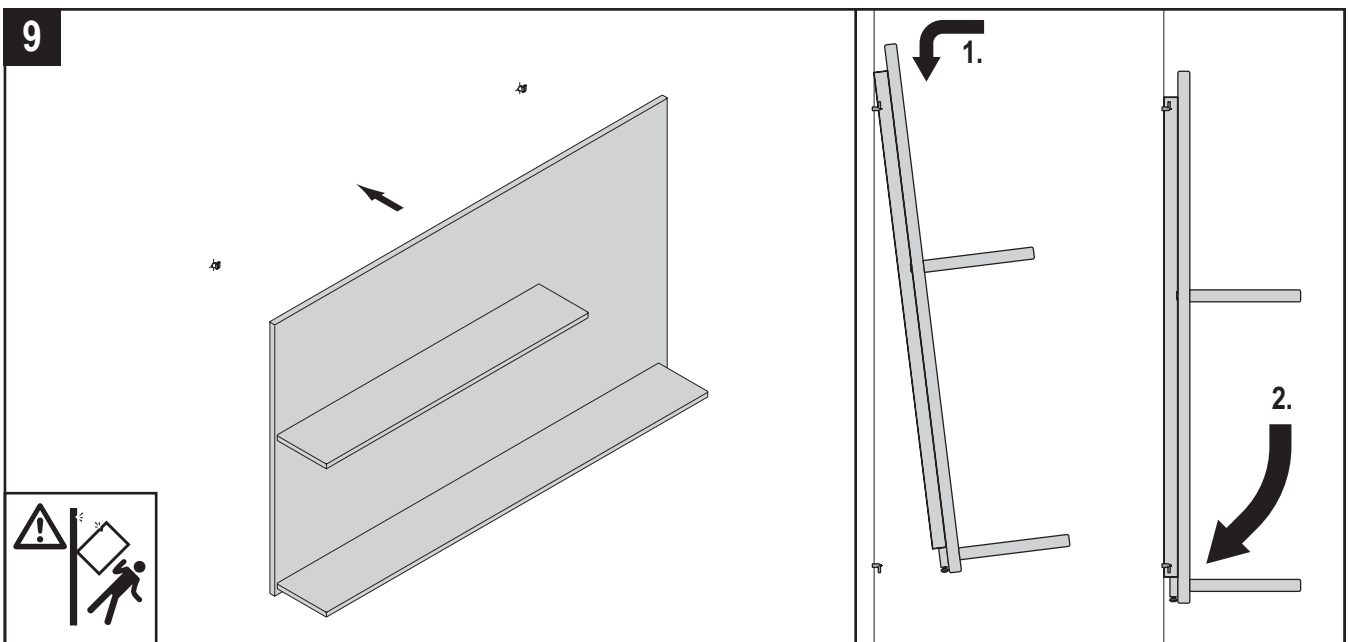
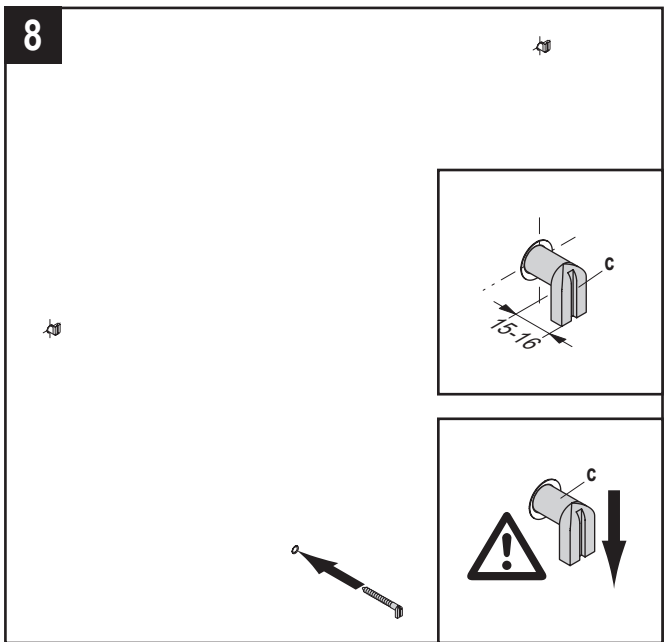
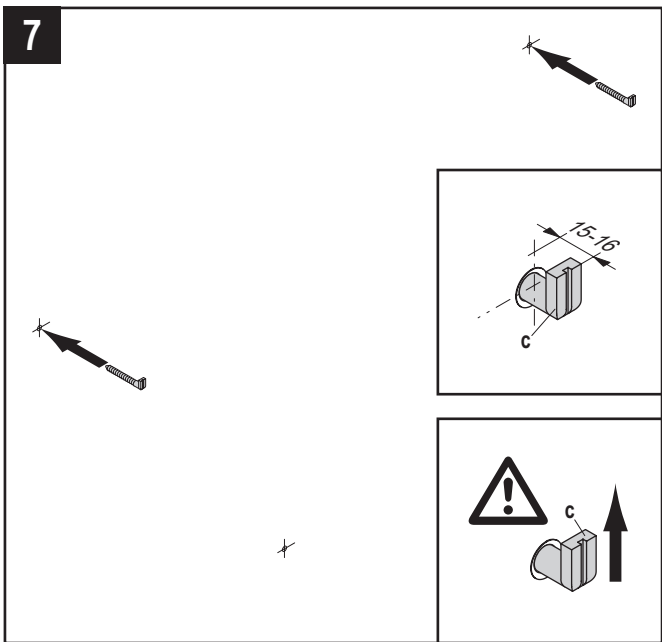
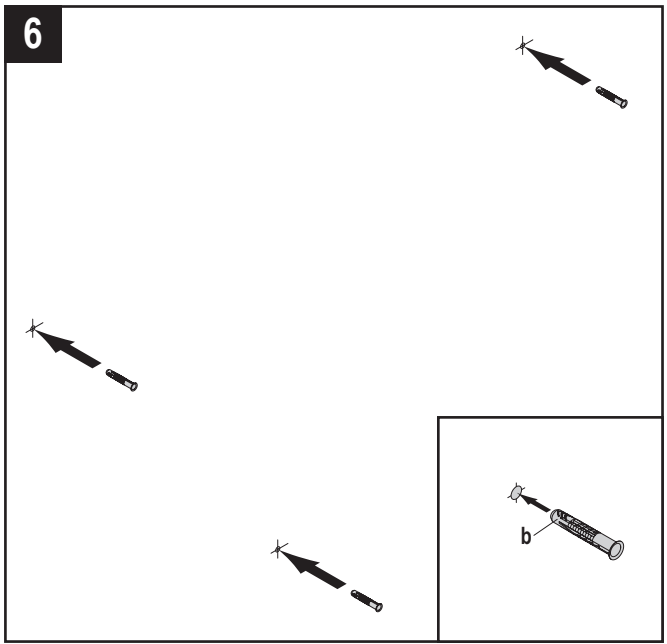
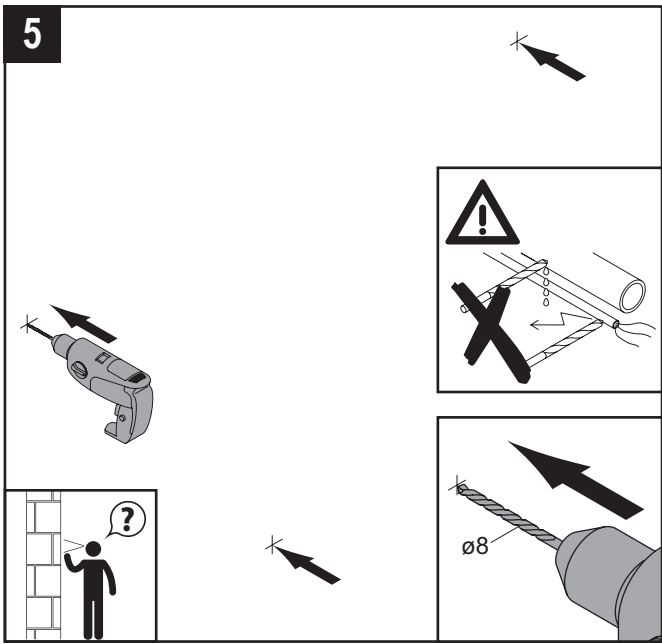
PZ 2

Ø 7 / Ø 8

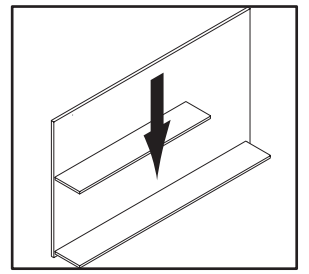
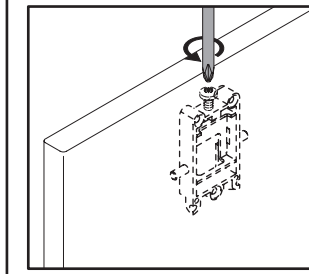
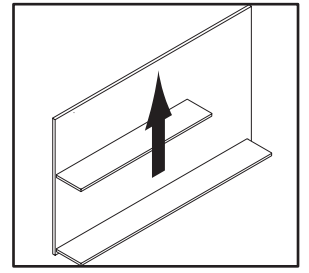
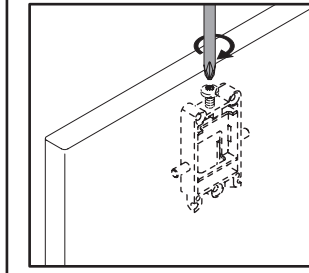
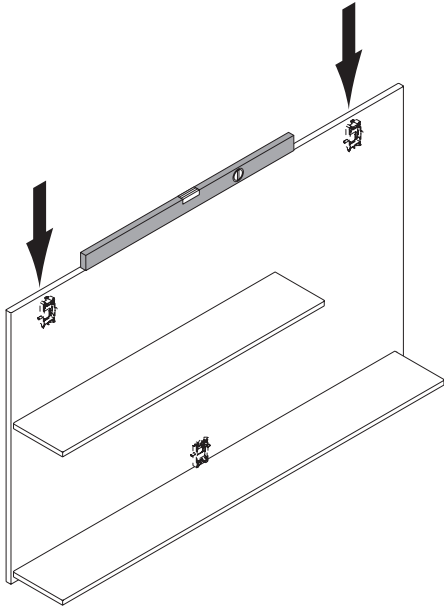
SW4



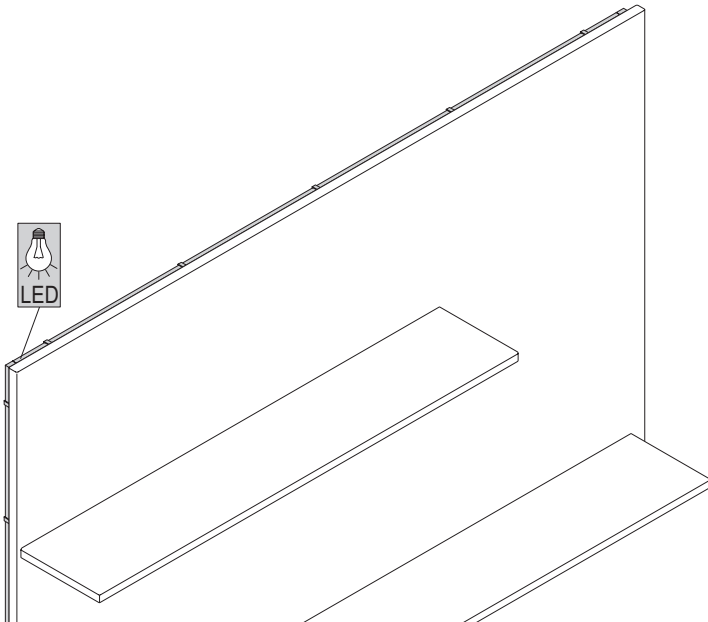




10



11

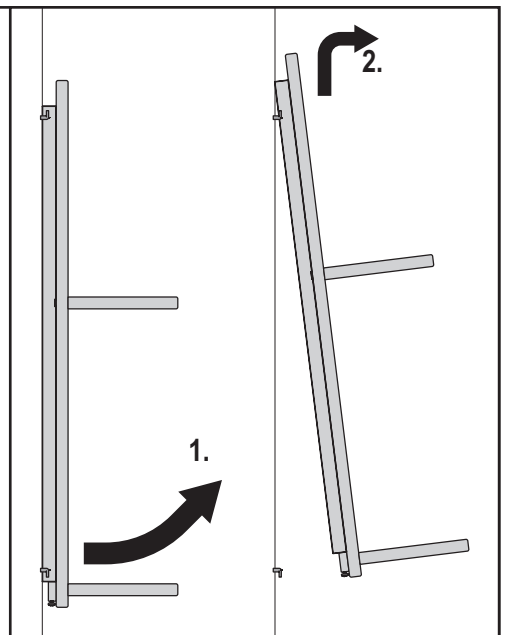
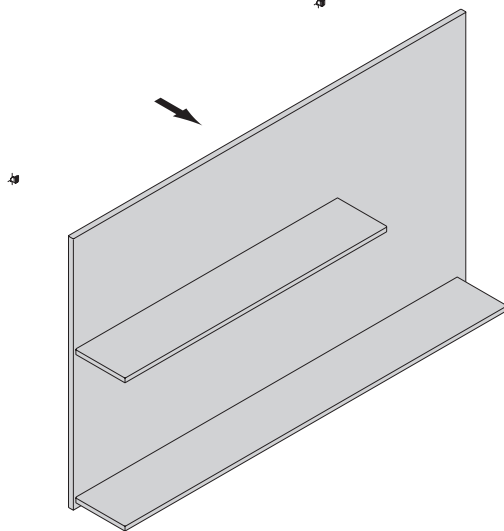


12

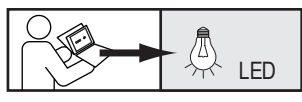


14

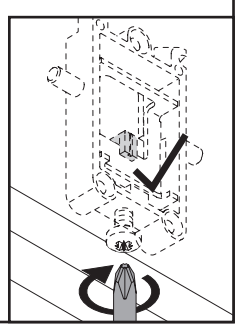
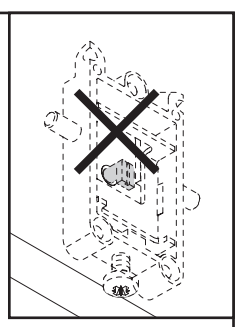
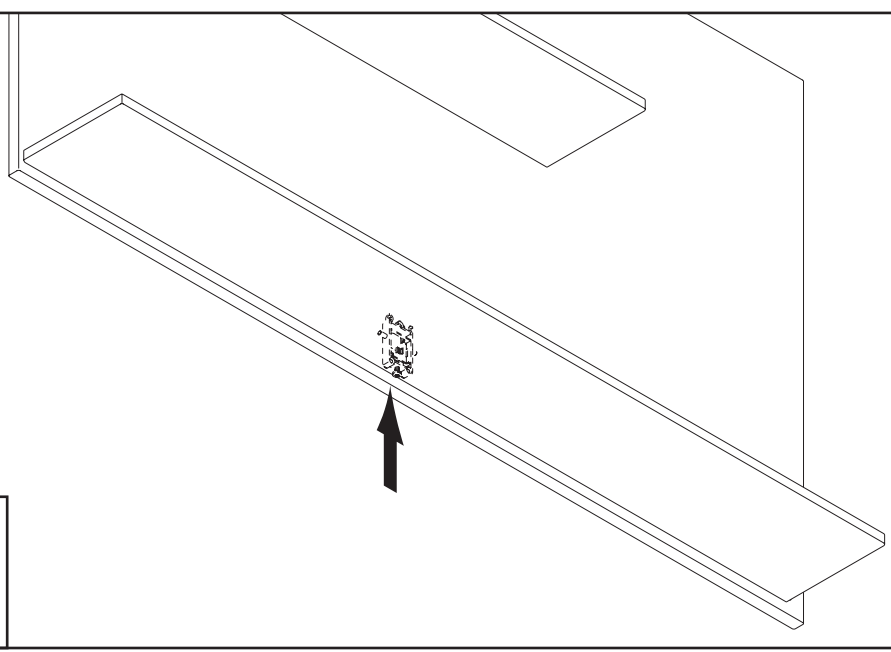
12



13



14



---

---

